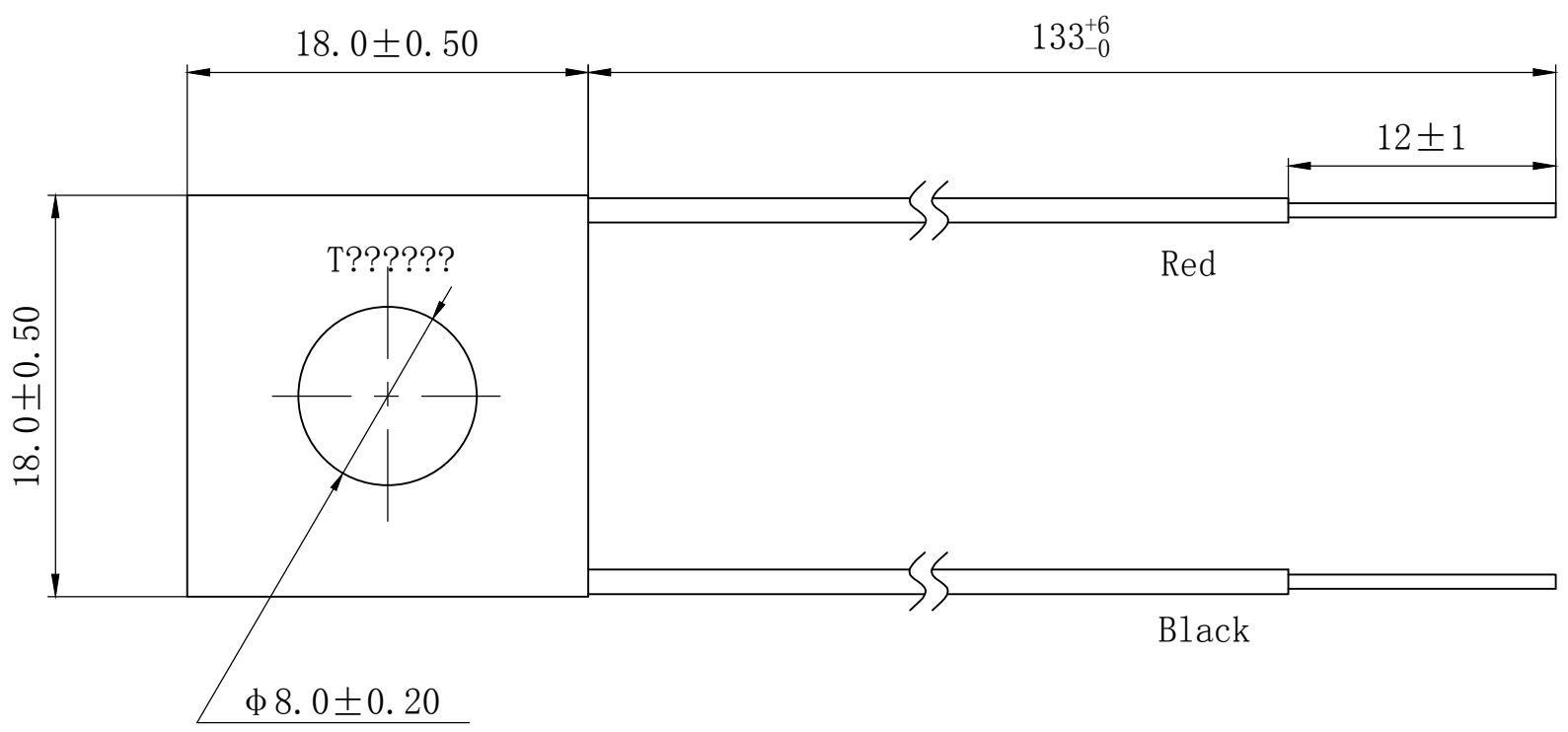
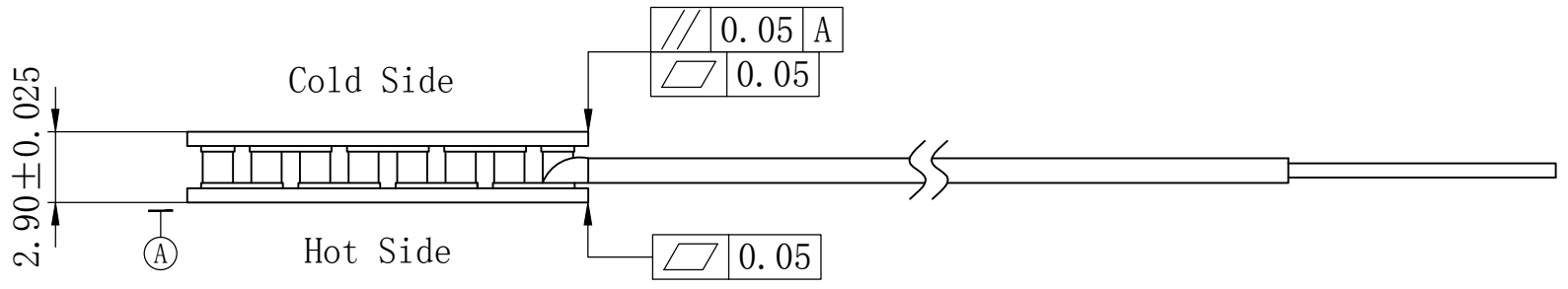


FERROTEC CONFIDENTIAL

- 1) The resistance of the module shall be within 0.537-0.652 ohms at an ambient temperature of 25 degrees Celsius.
- 2) Material of lead wires: #24 AWG Type-E Teflon MIL-W-16878E/4.
- 3) The end of the lead wires shall be pre-tinned.
- 4) Lot Number shall be stamped on the cold side with black color.



ROHS COMPLIANCE



Item	Value	Test Conditions
I _{max}	4.0A	Q _c =0, DT=DT _{max} , Th=50°C
V _{max}	3.27V	Q _c =0, I=I _{max} , Th=50°C
DT _{max}	83°C	Q _c =0, I=I _{max} , Th=50°C
Q _{cmax}	6.85W	I=I _{max} , DT=0, Th=50°C
Th _{max}	200°C	Momentary

Ferrotec Corporation
 (Zhijiang Factory)
 668# Binkang Road, Hangzhou Hi-tech
 Garden, Zhejiang Province, P.R.China

General Dimension Tolerance			PLs	Date Modifying	Summary Of Modification	By	Designed	2014-6-5	Finished Mark	Title	Proj.
Process	Cutting		Forging				Jiang			20043/023/040B	3 Angle
	Common	Special					Common	Checked			
Size Range	less than 6	±0.1	±0.15	±0.5			yongqing Wu	2014-6-5	Material	Drawing Number	1/1
	6 up to 30	±0.2					Approved		Finish		
	30 up to 120	±0.3	±0.2	±0.7			FTH	Approved	Raw Material Size	P/N	Scale: Rev. Do Not Scale Z
	120 up to 315	±0.5	±0.25	±1.0			FT	Approved	Raw Material Weight		
	315 up to 1000	±0.8	±0.4	±1.5			FTA	Approved	Raw Material Weight		
1000 up to 2000	±1.2	±0.6	±2.0						8B329		